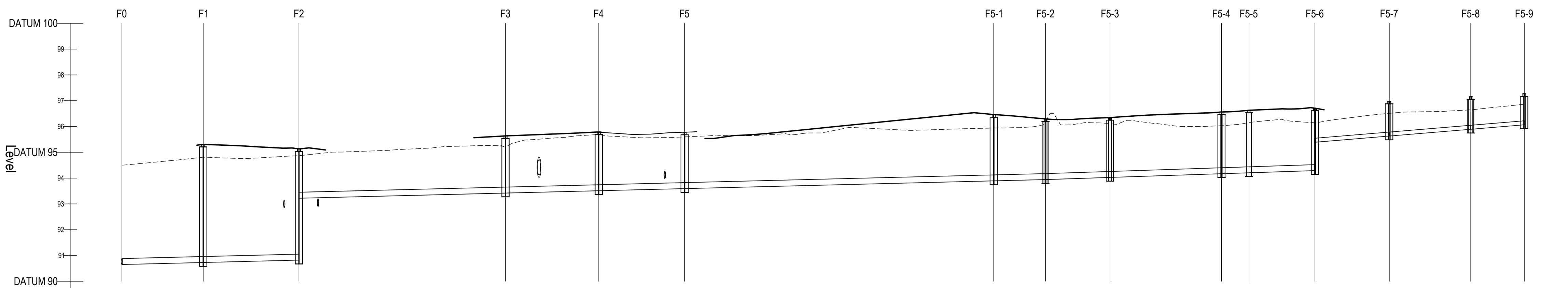
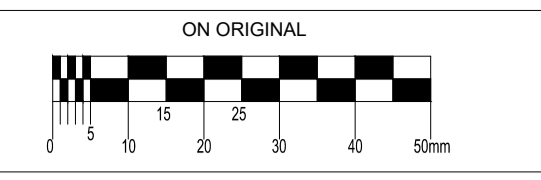


SCALE: H 1:500, V 1:100. DATUM: 90.000



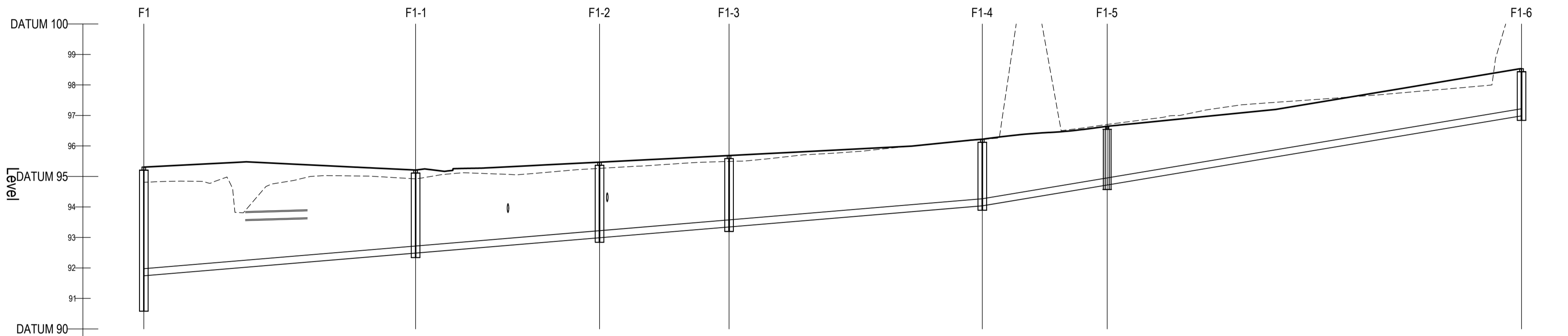
COVER LEVEL		96.887	95.306	96.133		96.634	96.788	95.778		96.461	96.226	96.345		96.561	96.629	96.705	96.979	97.152	97.267	
INVERT LEVEL		90.633	90.731	90.624	90.422	90.513	90.586	90.895	90.945	90.895	90.945	94.029	94.172	94.172	94.208	94.208	94.250	96.531	96.894	96.957
DEPTH (m)		0.632	4.575	4.310	2.712	2.275	2.183	2.565	2.351	2.316	2.389	2.421	2.415	1.348	1.348	1.348	1.348	1.348	1.348	1.200
DISTANCE (m)		15.75	18.54	40.00	18.05	16.63	59.86	10.03	12.50	21.58	5.32	12.78	14.40	15.78	10.37					
PIPE SLOPE		1:200	1:200	1:200	1:200	1:200	1:200	1:200	1:150	1:150	1:150	1:150	1:60	1:60	1:60					
PIPE SIZE		225mm	225mm	225mm	225mm	225mm	225mm	225mm	225mm	225mm	225mm	225mm	150mm	150mm	150mm					



ON ORIGINAL  
 © COPYRIGHT OF THIS DRAWING IS RESERVED BY DBFL CONSULTING ENGINEERS. NO PART SHALL BE REPRODUCED OR TRANSMITTED WITHOUT THEIR WRITTEN PERMISSION.  
 NO CHANGES OF WHATSOEVER NATURE ARE TO BE MADE TO ANY DETAILS SET OUT OR CONTAINED IN ANY DBFL SPECIFICATIONS OR DRAWINGS UNLESS THE EXPRESS CONSENT HAS BEEN OBTAINED IN ADVANCE, IN WRITING, FROM DBFL.

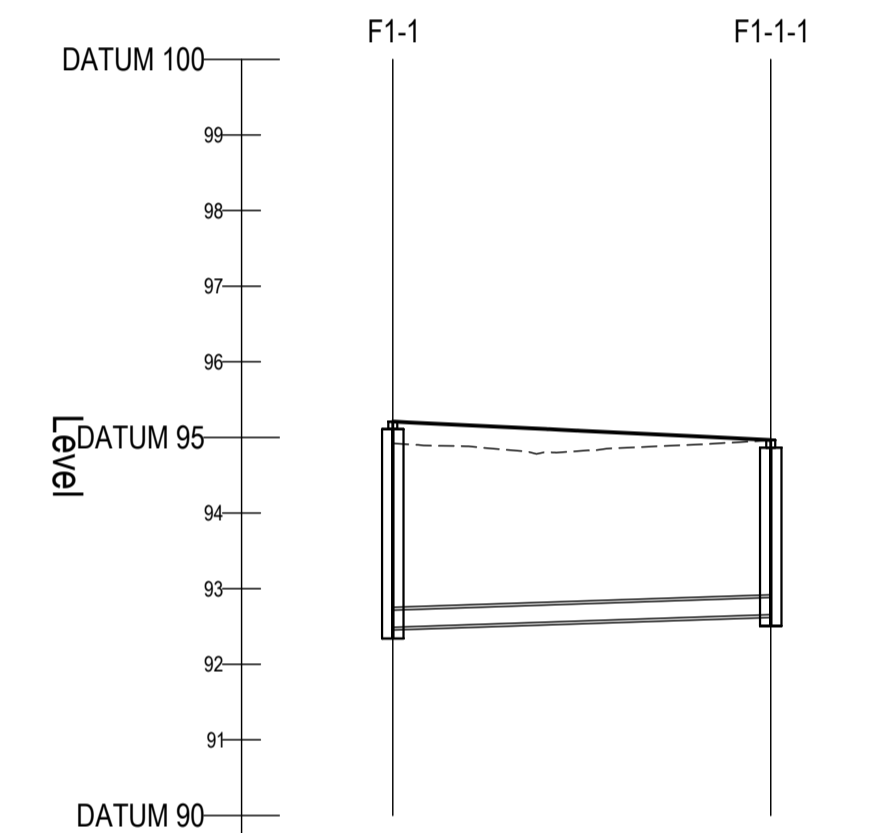
- NOTES:
- ALL DRAWINGS TO BE CHECKED BY CONTRACTOR ON SITE AND ENGINEER INFORMED OF DISCREPANCIES BEFORE WORK COMMENCES
  - ALL LEVELS ARE IN METRES AND ARE RELATED TO ORDNANCE DATUM
  - CONTRACTOR SHALL SATISFY HIMSELF AS TO THE ACCURACY OF PAVEMENT LEVELS ON SITE PRIOR TO COMMENCEMENT OF WORKS ON SITE
  - ALL WORKS TO BE CONSTRUCTED IN ACCORDANCE WITH THE NRA SPECIFICATION FOR ROAD WORKS UNLESS NOTED OTHERWISE
  - THIS DRAWING IS FOR PLANNING PURPOSES ONLY
  - MANHOLE COVER LEVELS ARE TO CONFORM WITH FINISHED ROAD AND PATH LEVELS
  - WHERE COVER TO PIPE IS LESS THAN 100mm (ROAD/PATH/VERGE) OR 900mm (OPEN SPACE) SURROUND PIPE IN MINIMUM 150mm CONCRETE

SCALE: H 1:500, V 1:100. DATUM: 90.000



COVER LEVEL		95.306	95.209	95.468	95.885	96.221	96.847	96.832
INVERT LEVEL		91.747	92.490	92.693	93.347	94.040	94.723	95.990
DEPTH (m)		4.575	2.719	2.475	2.337	2.181	1.924	1.543
DISTANCE (m)		44.61	30.18	21.27	41.56	20.50	68.00	
PIPE SLOPE		1:60	1:60	1:60	1:60	1:30	1:30	
PIPE SIZE		225mm	225mm	225mm	225mm	225mm	225mm	

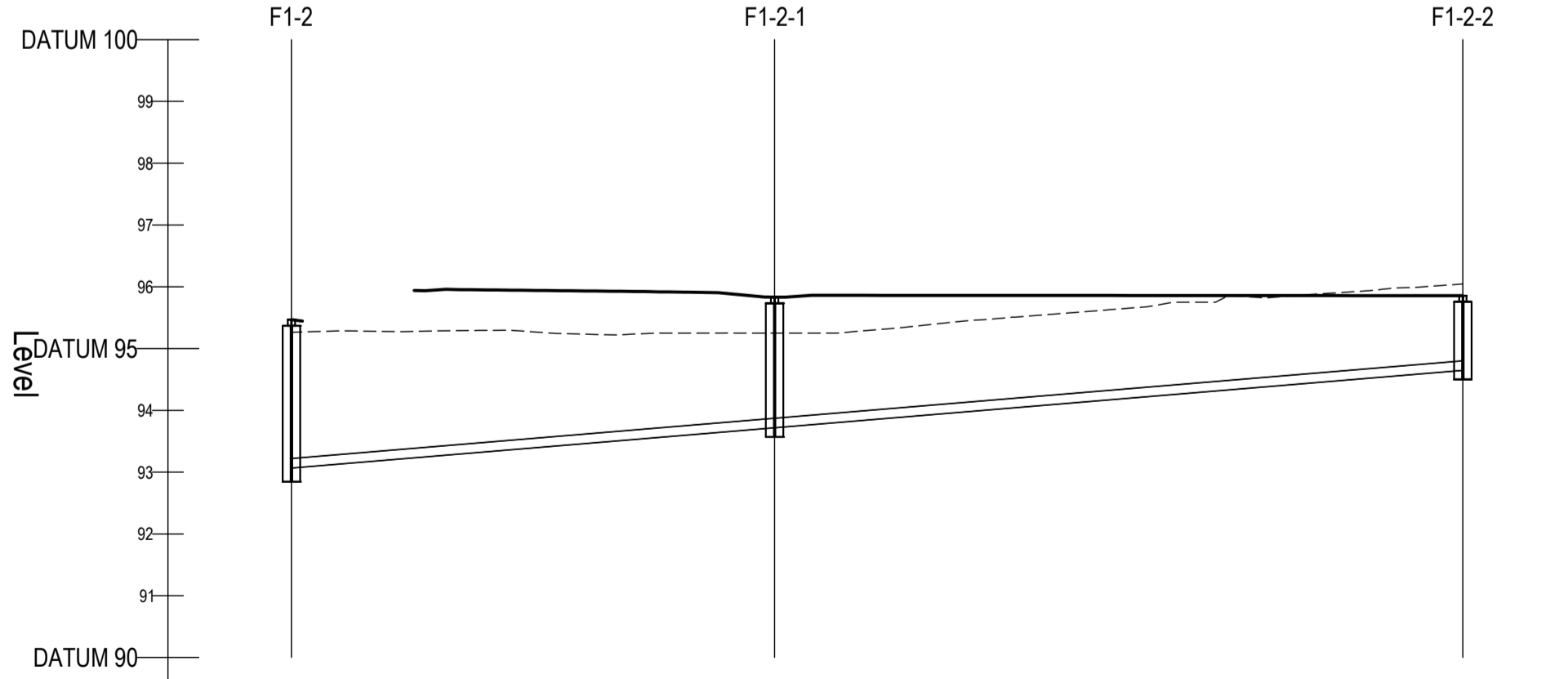
SCALE: H 1:500, V 1:100. DATUM: 90.000



COVER LEVEL		95.209	94.967
INVERT LEVEL		92.490	92.657
DEPTH (m)		2.719	2.310
DISTANCE (m)		25.00	
PIPE SLOPE		1:150	
PIPE SIZE		225mm	

KEY  
 - - - - - EXISTING GROUND PROFILE  
 ——— PROPOSED GROUND PROFILE

SCALE: H 1:500, V 1:100. DATUM: 90.000



COVER LEVEL		95.468	96.632	96.665
INVERT LEVEL		93.028	93.720	94.449
DEPTH (m)		2.475	2.112	1.207
DISTANCE (m)		39.13	55.74	
PIPE SLOPE		1:60	1:60	
PIPE SIZE		150mm	150mm	

rev	date	description	PJC	NGC
P01	13/06/22	STAGE 3 SHD		
A		Approved		
B		Approved with comments		
C		Do not use		

client approval

suitability S2 - INFORMATION issue purpose PLANNING

**DBFL Consulting Engineers**  
 Civil, Structural & Transportation Engineering  
 www.dbfl.ie

DUBLIN OFFICE: Ormond House, Upper Ormond Quay, Dublin 7, D07 W704  
 PHONE +353 1 454 4350  
 CORK OFFICE: 14 South Mall, Cork, T12 CT91  
 PHONE +353 21 2024538  
 WATERFORD OFFICE: Suite 10 The Arkun, Maritime Gate, Canada Street, Waterford, X91 W028  
 PHONE +353 51 309 500

project ref.

NEWCASTLE SOUTH

drawing title  
**FOUL SEWER LONGITUDINAL SECTIONS SHEET 1**

client  
**CAIRN HOMES PROPERTIES LTD**

designed by NCG author PJC scale H: 1:500 V: 1:100 sheet size A1  
 drawing no. 210026-DBFL-CS-SP-DR-C-3205 revision P01